



The **RAMJET TC-300 TANK®** is the third in the Trash Commander® Series of short, yet powerful stationary compactors. With crossed-cylinder technology, it is the most exciting development in the waste compaction industry. The \*3 cubic yard capacity compaction chamber is incorporated into a body that is only **9'-4 1/2" long!** This allows for greater throughput capacity in applications where space is limited such as retail outlets, department stores, malls, large restaurants, grocery stores and shopping centers.

The large 67 1/2"L x 58"W clear-top opening allows for large bulky items and greater throughput capacity. The TC-300 TANK is ideal for dock feed applications. With a 4-sided, rear feed hopper, there is no need for special walk-on tops or guard rails.

\*2.27 cy. WASTECC Rating and 3.0 cy. Mfg Rating

## The Trash Commander

# TANK®

*The Shortest 3 Cubic Yard Compactor in the Industry!*



The **TC-300 TANK** (foreground) compared to a standard 3 cy. compactor showing the difference in overall length – yet the clear-top opening of the TANK is the same as the larger RJ-325. The picture also illustrates that if the TANK is fitted with a 4-sided, rear feed hopper, there is no need for tread plates or guard rails.

# TC-300 3cy. TANK *The shortest 3 cy. compactor in the industry!*

Designed to meet applications where space is limited, but superior strength, dependability and compaction performance are a must!

## Specifications

Model: TC 300T-	HD	HDHF
Charge Box Capacity		
(Mfrs. Rating)	3.0 cy	3.0 cy
(WASTEC Standards)	2.27 cy	2.27 cy
Clear Top Opening Width	58"	58"
Clear Top Opening Length	67 1/2"	67 1/2"

## Performance

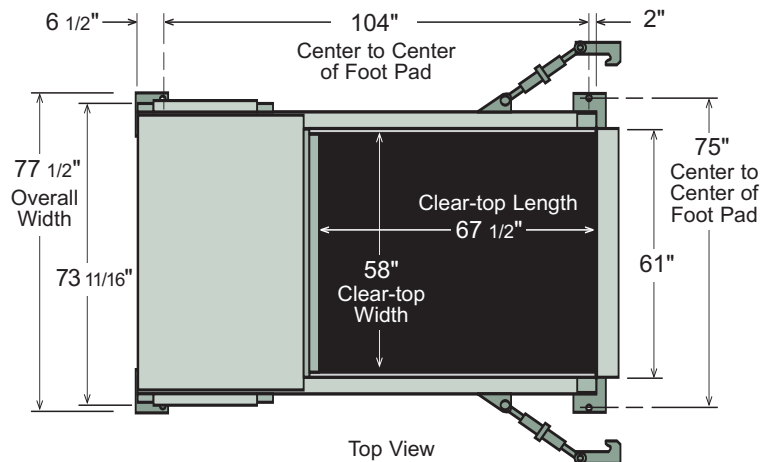
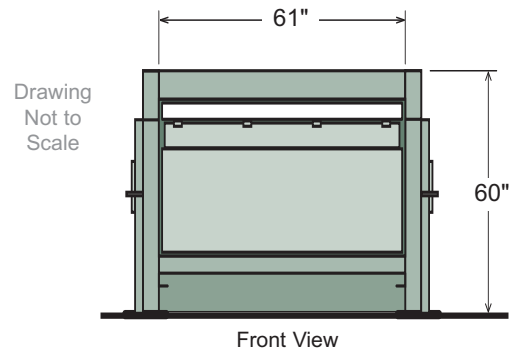
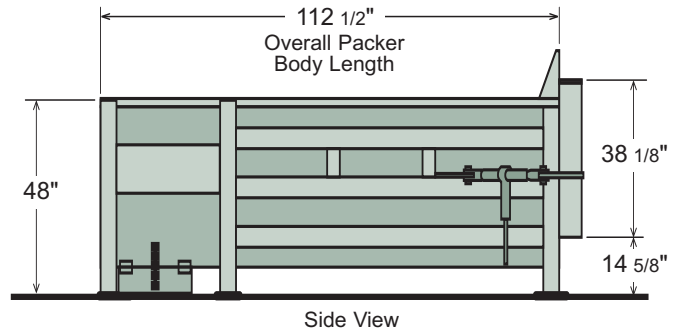
Cycle Time	77 sec	59 sec
Total Normal Force	54,500 Lbf	62,700 Lbf
Normal Ram Face Pressure	34.9 psi	40.2 psi
Ram Penetration	13.5"	13.5"

## Hydraulics/Electronics

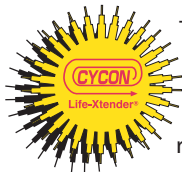
Remote Power Unit		
Motor	10 hp	15 hp
3/60/230-460		
Control Voltage	120 VAC	120 VAC
UL Label Panel Box; All Circuits Fused;		
Standard Controls: Keylock, Stop, Reverse		
Pump	10 gpm	13 gpm
Normal, psi	2,000 psi	2,300 psi
Cylinder Stroke (2), Inches	55.25"	55.25"
Cylinder Bore (2), Inches	4.5"	4.5"
Rod Diameter, Inches	2.5"	2.5"

Weight	5,800 lbs	5,800 lbs
--------	-----------	-----------

The TC-300 TANK features  
**Marathon's Signature Series Warranty:**  
3 years structure,  
2 years components  
and 6 months labor.



Authorized Distributor:



The TANK has Marathon's patented CYCON Life-Xtender<sup>®</sup> Cyclic Control System for reliable, solid state circuitry that eliminates all pressure and limit switches, extends the life of cylinders and hoses and assures maximum compaction ratios and performance.

**WESSCO** Visit our web site: [www.wessconw.com](http://www.wessconw.com)

**Address:** WESSCO 211 N.E. Columbia Blvd.  
Portland, OR 97211  
USA

**Office:** 503-289-2360

**E-mail:** [info@wessconw.com](mailto:info@wessconw.com)

**Fax:** 503-289-2845

Pictures in this literature are illustrative only. Specifications are subject to change without notice in order to accommodate improvements to the equipment. Certified in compliance with ANSI Regulation Z245.2, all OSHA standards, and certified under WASTEC's Stationary Compactor Certification Program. Products must be used with safe practice and in accordance with said regulations and standards.

