

StockRoom Baler®

V-4224 StockRoom Vertical Baler – 5 HP

PERFORMANCE SPECIFICATIONS:

| | | |
|--------------------------------|---|---|
| Cylinder | 4 B X 2 1/2 R X 32 S | 102 B X 64 R X 813 S |
| Pump | 6 GPM | 23 liters/min |
| Motor | 5 HP, single phase | 3.7 kW |
| System Pressure | 1800 psi (2000 psi, max.) | 124.0 bar (137.9 bar, max) |
| Platen Force | 22,600 lbs | 10.25 mT |
| Platen Face Pressure | 27 psi (846 platen sq. in.) | 186 kN/m ² (platen 0.55 m ²) |
| Cycle Time | 29 seconds | |
| Control Voltage | 120 VAC, single phase | |
| Control Box | NEMA 4; UL Listed box & controls (22 mm) | |
| Controls | OFF/ON security key switch; 3 Position Selector Switch; EMRG STOP | |
| PLC | Microprocessor, programmable relay | |
| Interlock Switches | Interlocks prevent the baler from operating when the feed gate or bale door is open except when operated in manual mode during bale ejection. | |

DIMENSIONAL SPECIFICATIONS:

| | | |
|--------------------------------------|--|-------------------|
| Platen Penetration | 11" (below door) | 279 mm |
| Overall Width | 68 3/4" | 1746 mm |
| Overall Depth | 40 1/2" (44 3/4" w/ opt. wire guides) | 1029 mm (1137 mm) |
| Overall Height | 101 3/8" (cylinder top); 71 _" (frame) | 2575 mm (1810 mm) |
| Feed Height | 34" | 864 mm |
| Bale Chamber Depth | 24" | 610 mm |
| Bale Chamber Height | 27" | 686 mm |
| Feed Opening | 42"L X 19"H | 1067 mm X 483 mm |
| Bale Door Clearance (open) | 48 5/8" | 1235 mm |

STRUCTURAL SPECIFICATIONS:

| | |
|---------------------------------------|--|
| Body Side Plates | 7 ga. |
| Floor & Floor Structure | 8" & 6" structural channel |
| Top Cylinder Supports | 8" & 6" structural channel |
| Platen Face & Wear Surfaces | 6" structural channel & UHMW wear pads |
| Bale Door | 7 ga. sheet, 3 x 3 structural tube top rail, 3" structural channel, and structural bar |
| Ejector | Automatically-engaged ejector |
| Paint Primer | bottom coat; Industrial grade top coat (high quality, low VOC, high solids) |

BALE SPECIFICATIONS:

| | | |
|-----------------------------|---|---------------------|
| Bale Width | 42" | 1067 mm |
| Bale Depth | 24" | 610 mm |
| Bale Height | 28" - 30" | 711 – 762 mm |
| Bale Volume | 16 cu. ft. | 0.45 m ³ |
| Bale Weight (OCC) | up to 450 lbs. | 204 kg |
| Bale Tie-off | Insert wires through front and rear | |
| Bale Ties | (4) 14 ga. X 10' (3.05 m) long | |

TOTAL BALER WEIGHT: **1900 lbs.** **862 kg**



OPTIONS:

Bale Made Light
Electrical Disconnect Switch
Oil Heater
Wire Guides
(for front bale tie-off)



StockRoom Baler®



V-4224 StockRoom Vertical Baler – 1 1/2 HP

by Marathon Equipment

PERFORMANCE SPECIFICATIONS:

| | | |
|----------------------|---|---|
| Cylinder | 4 B X 2 1/2 R X 32 S | 102 B X 64 R X 813 S |
| Pump | 4.4 GPM, 2 stage | 17 liters/min |
| Motor | 1 1/2 HP, single phase | 1.12 kW |
| System Pressure | 1800 psi (2000 psi, max.) | 124.0 bar (137.9 bar, max) |
| Platen Force | 22,600 lbs | 10.25 mT |
| Platen Face Pressure | 27 psi (846 platen sq. in.) | 186 kN/m ² (platen 0.55 m ²) |
| Cycle Time | 39 seconds | |
| Control Voltage | 120 VAC, single phase | |
| Control Box | NEMA 4; UL Listed box & controls (22 mm) | |
| Controls | OFF/ON security key switch; 3 Position Selector Switch; EMRG STOP | |
| PLC | Microprocessor, programmable relay | |
| Interlock Switches | Interlocks prevent the baler from operating when the feed gate or bale door is open except when operated in manual mode during bale ejection. | |

OPTIONS:

- Bale Made Light
- Electrical Disconnect Switch
- Oil Heater
- Wire Guides
- (for front bale tie-off)

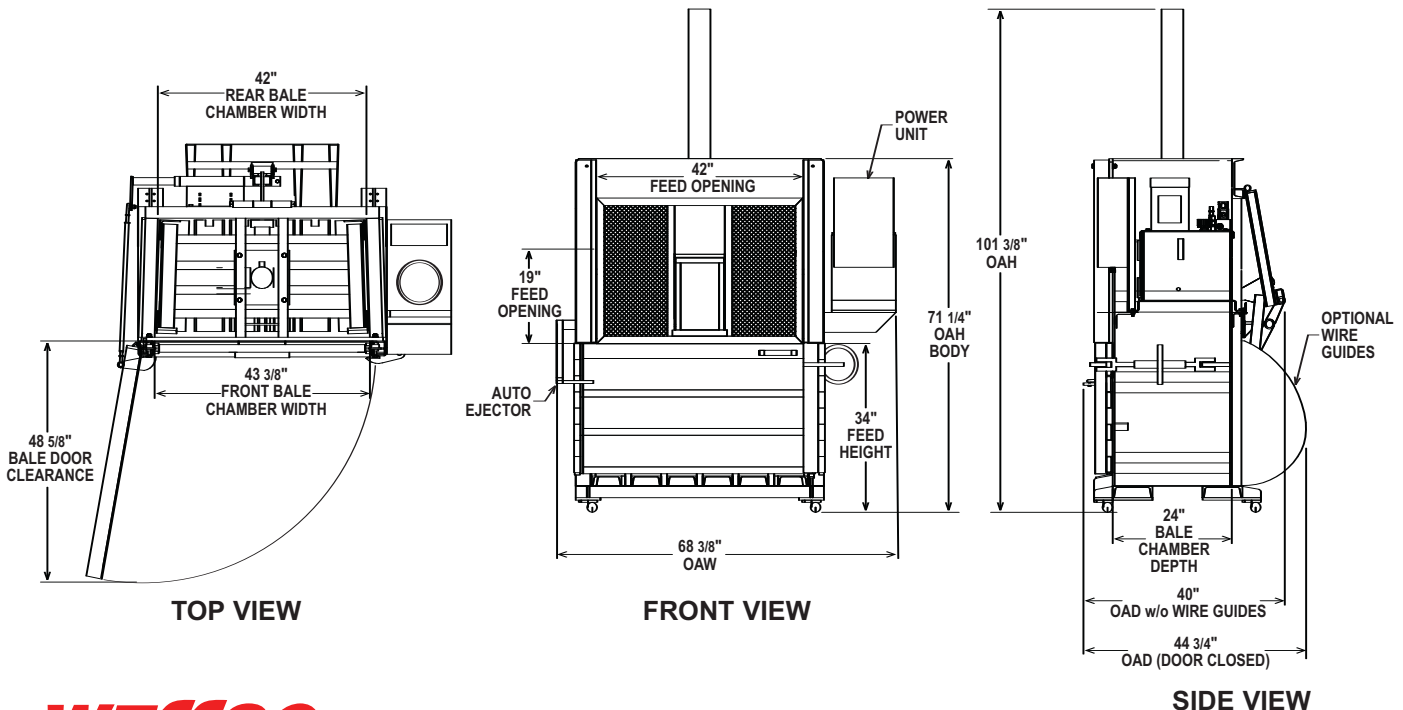
DIMENSIONAL SPECIFICATIONS: (same as 5 HP)

STRUCTURAL SPECIFICATIONS: (same as 5 HP)

BALE SPECIFICATIONS: (same as 5 HP)

TOTAL BALER WEIGHT: (same as 5 HP)

DRAWING FOR 5 AND 1.5 HP MODELS



WESSCO Visit our web site: www.wessconw.com

Address: WESSCO 211 N.E. Columbia Blvd. Portland, OR 97211 USA
 Office: 503-289-2360
 E-mail: info@wessconw.com
 Fax: 503-289-2845

Pictures in this literature are illustrative only. Specifications are subject to change without notice in order to accommodate improvements to the equipment. Certified in compliance with ANSI Regulation Z245.2, all OSHA standards, and certified under WASTEC's Stationary Compactor Certification Program. Products must be used with safe practice and in accordance with said regulations and standards.

