

The

UNTOUCHABLE VIP™

Marathon's **Untouchable VIP** (Vert-I-Pack®), developed for the narrow alleys of Chicago, is now available anywhere where space is limited but compaction is required.

Compaction Power...

The **Untouchable VIP** saves space by using more than 13 tons of crushing force to reduce the contents of several open containers into one container! Imagine the time saved by your hauler each time he picks up an **Untouchable VIP** instead of all those open top containers.

Compact Size...

The compact size of the **Untouchable VIP** allows it to fit anywhere, even inside buildings.

Side Mount Power Unit...

The **Untouchable VIP's** power unit is accessible from the side rather than in the rear. This makes maintenance easy, especially in areas where space is limited such as alleys.

Containers with Casters...

The **Untouchable VIP's** 2.75 yard heavy duty containers are on casters and can easily be rolled to an area accessible by waste collection trucks.

Other features include: triple interlock system, key operation to prevent unauthorized use, controls employee pilferage, and much more.

Ideal for...

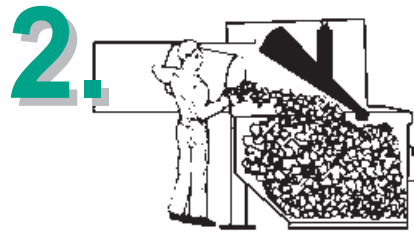
- ▼ Restaurants ▼ Motels & Hotels ▼ Nursing Homes ▼ Hospitals ▼ Supermarkets ▼ Malls
- ▼ In-plant Assembly Areas



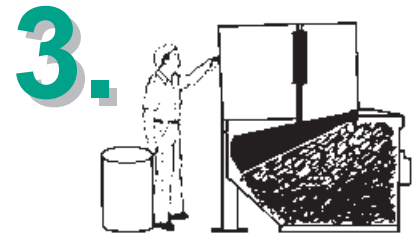
Untouchable VIP® Easy To Use As...



1. Operator inserts key and turns to "UP" position. When ram moves up position the door can be opened.



2. The large door opening allows even a 30 gallon container to be emptied easily. The new waste material is dumped into the cavity left in the container by previous ram position.



3. **AUTO-CYCLE STANDARD!**
After feeding, operator closes door and removes key – *his job is finished.*
UNIT CYCLES AUTOMATICALLY WHEN KEY IS TURNED (and removed)!
More than 13 tons of crushing power forces the ram 18" into the container!

Untouchable VIP® Specifications:

Totally UL Listed

Charge Box Capacity		
Mfrs. Rating	0.72 cy.	0.55 m ³
WASTEC Rating	0.54 cy.	0.41 m ³
Container Capacity	2.75 cy.	2.10 m ³
Clear Top Opening	23.5" x 46"	597 x 1170 mm
Cycle Time	30 sec.	30 sec.
Total Normal Force	26,400 lbs.	117 kN
Total Maximum Force	30,200 lbs.	134 kN
Electric Motor	3 hp	2.2 kW
Voltage	1/60/230 & 3/60/208,230,460	



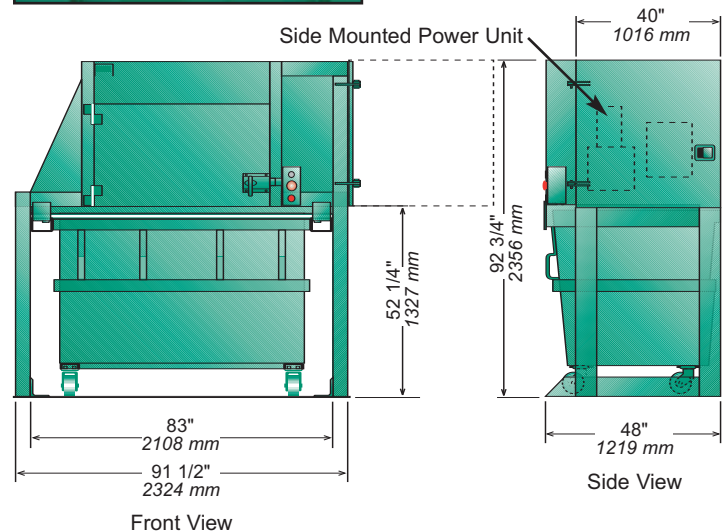
The side mounted power unit offers easy access for maintenance on the motor and electrical panel.

Available with 3/4 hp, single phase, 120 volt power pack. Plug it into any standard 20 amp, 120 volt wall outlet!

Untouchable VIP® Dimensions:

Feed Height	52 1/4"	1327 mm
Overall Height	92 3/4"	2356 mm
Overall Width	91 1/2"	2324 mm
Overall Depth	48"	1219 mm
Container Weight	825 lb.	375 kg
Complete Assembly Weight	3675 lb.	1667 kg

Patent Nos. 4235165 & 4424740



WESSCO Visit our web site: www.wessconw.com

Address: WESSCO 211 N.E. Columbia Blvd.
Portland, OR 97211
USA

Office: 503-289-2360

E-mail: info@wessconw.com

Fax: 503-289-2845

Pictures in this literature are illustrative only. Specifications are subject to change without notice in order to accommodate improvements to the equipment. Certified in compliance with ANSI Regulation Z245.2, all OSHA standards, and certified under WASTEC's Stationary Compactor Certification Program. Products must be used with safe practice and in accordance with said regulations and standards.

