

WasteCaddy Rider

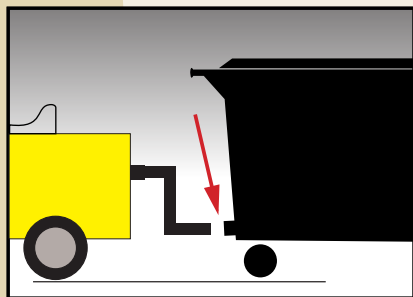
Dumpster Mover



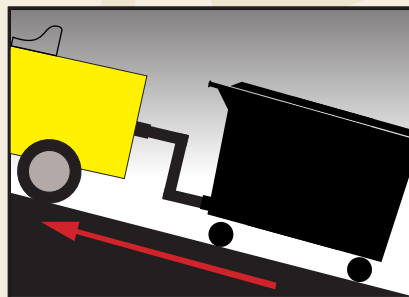
The battery-powered, ride-on dumpster mover.

Built to navigate in tight trash rooms, while moving dumpsters to curbside for hauler pickup.

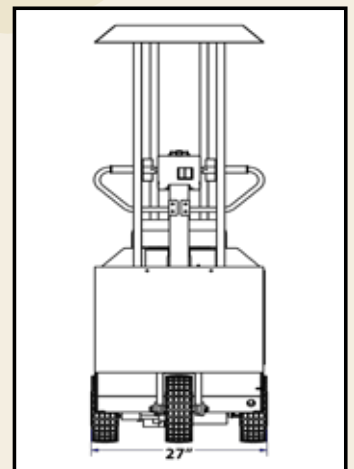
Pulls Dumpsters up to 5,000 lbs.



Insert tube on the back of the WasteCaddy attaches to the bottom of the dumpster.

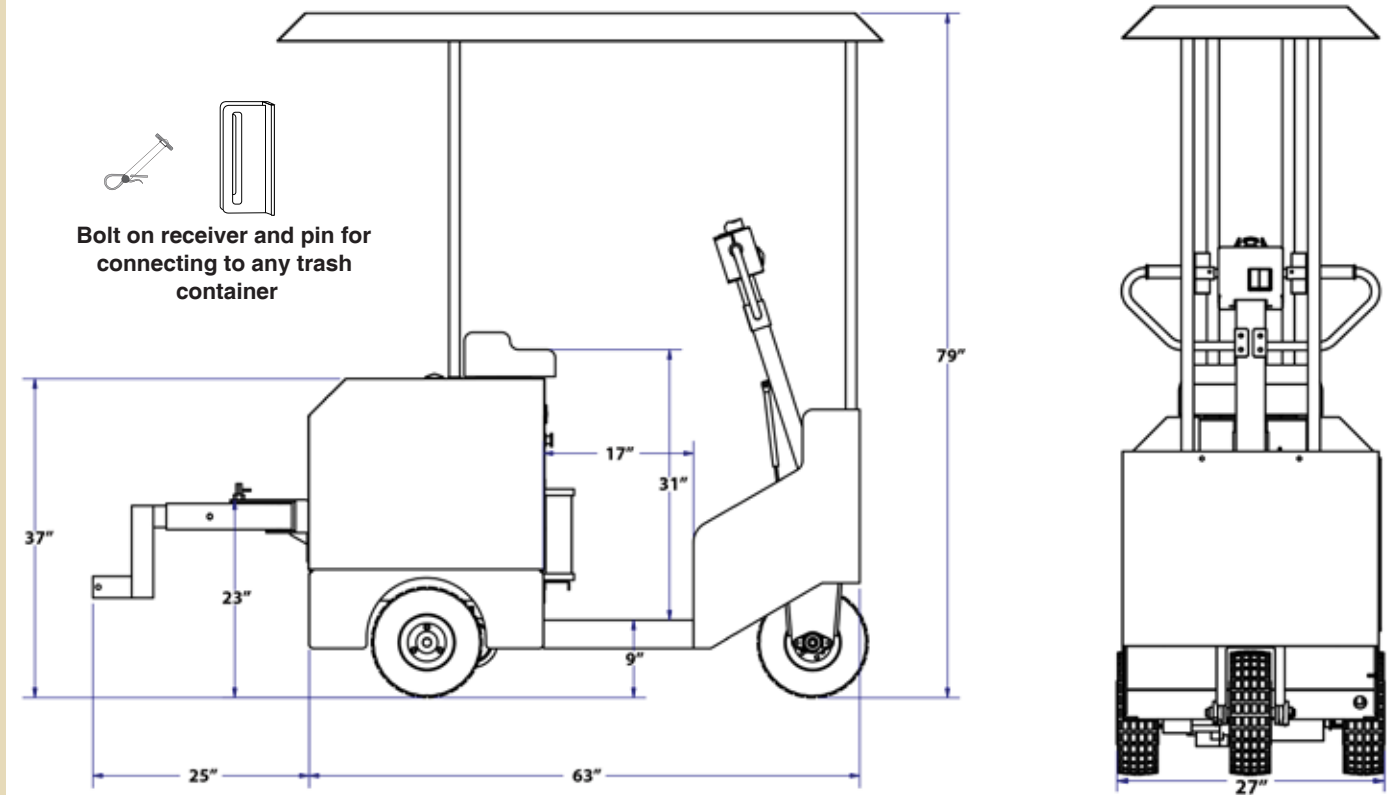


WasteCaddy Rider Dumpster Mover can easily pull heavy trash containers up inclines through snow and ice.



Narrow design allows for maneuverability and storage.

WasteCaddy Rider Dumpster Mover



Rider Dumpster Mover Standard Features

- Formed Steel Frame
- 3000 lb. Differential / Transaxle
- High Tech Speed Controller
- Neutral Throttle Braking
- Adjustable Acceleration/Braking
- Variable Speed Thumb Twist Grips
- 0-6 mph Forward / 0-2 mph Reverse
- Non-Marking Foam Filled Tires
- Battery Discharge Indicator
- Automatic Onboard Charger
- 36v(3) 115 Amp Batteries

Rider Dumpster Mover Options

Recommended Standard Package (Loads up to 5000 lb.)

WasteCaddy Rider Dumpster Mover - \$ 6,995
Includes Pivot Arm and Dumpster Bracket Insert Tube

Available Options

Safety Horn	\$ 95
Upgrade to Snow Tires for Snow and Ice	\$ 150
Flashing Light and Pole	\$ 95
Maintenance Free Batteries	\$ 225
15 Amp Weatherproof Charger	\$ 150
Dumpster Receiver (bolted or welded to dumpster)	\$ 40 ^{ea.}